



### Ordering product components

	Standard						Optional		
		(B)	(D)	(E)	(F)	(G)	(B)	(F)	
 ①									
	AH 3.9	AH 3.14	AH 3.18	AH 3.12	AH 3.20	AH 3.21	AH 3.16	AH 3.21	
②	DT 710 door terminal set	Mortice lock*	Profile cylinder for emergency opening	Escutcheon foil	Screw set/square spindle set	Maintenance tools and batteries	Angled striking plate for mortice locks with 20 mm forend	Accessories for processing and installation	Programming and user keys
① For guest room doors made from wood (with "Do not disturb" function)	✓	✓	✓	✓	✓	✓	✓	✓	AH 3.67
② For guest room doors made from metal (with "Do not disturb" function)	✓	✓	✓	✓	✓	✓	✓	✓	

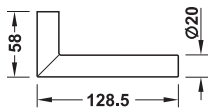
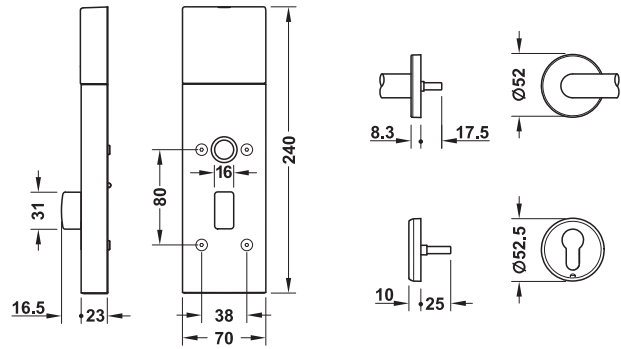
\* Mortice locks with 24 mm forend are supplied with a flanged striking plate. Striking plate is not supplied with mortice locks with 20 mm forend. Please order separately.

### Sample order

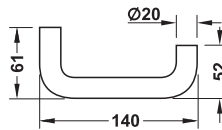
	For interior hotel guest room doors, wood, flush, door thickness 42 mm, DIN right, backset 65 mm, battery-operated door terminal, comfort function outwards		
		<b>Door terminal set</b>	
	917.64.000	DT 710 door terminal set with thumbturn, satin stainless steel	AH 3.10
	(B)	<b>Mortice lock with flanged striking plate</b>	
	917.81.791	For doors with standard requirements, stainless steel coloured	AH 3.15
	(D)	<b>Profile cylinder for mechanical emergency opening</b>	
	916.80.221	Single cylinder, keyed alike	AH 3.19
	(E)	<b>Supplementary products</b>	
	917.80.831	Square spindle set 1	AH 3.20
	917.80.851	Screw set 1	
	(F)	<b>Accessories for processing and installation</b>	AH 3.21
	(G)	<b>Maintenance tool</b>	
	910.54.980	Alkaline manganese battery 1.5 V AA	AH 3.21
	<b>Programming and user keys</b>	AH 3.67	

DGH-B-INT 2019, HDE-en, 12/18; Dimensional data not binding. We reserve the right to alter specifications without notice.

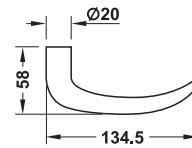
## Häfele Dialock DT 710 Door terminal set



G-shape



U-shape



J-shape

Door terminal set for interior guest room doors, with approval for use on fire resistant and smoke control door, satin stainless steel, polished stainless steel, polished brass coloured or black, with fixed lever handle aperture parts, door backplate interior module with battery

### Functionality

Battery-operated, intelligent door terminal, touchless activation with Dialock key (passive transponder)

- > Red/white LEDs/Piezo signal generator for indication of locking and unlocking
- > Door backplate interior module with thumbturn with which "Do not disturb" can be indicated on the exterior module by a flashing signal (thumbturn = DND = "Do not disturb" function). Mechanical locking takes place by turning the thumbturn, pushing forward the deadbolt of the mortice lock.
- > The door can be opened without a key by activating the lever handle at any time from the inside.
- > Several keys per room and up to 20 keys per door terminal are possible
- > Mechanical emergency opening is possible
- > With real-time clock for audit trail of all locking processes, openings of the housing, emergency openings and battery removals (memory for up to 1,000 audit trail entries, for up to 1,000 user keys)
- > Tamper protection on interior module blocks the door terminal in case of unauthorised disassembly of the internal backplate. Access from the outside is blocked for user keys with activated tamper protection. The tamper protection can be activated (optional).
- > For service personnel:  
Indication when battery change is required

### Advantages

- > Easy installation
- > Easy battery change
- > Drilling dimensions in compliance with DIN 18251 + additional drill hole for DND; cut-out in door leaf not required
- > Fixing via standard rose/escutcheon fixing points

### Technical data

Degree of protection	IP20
Ambient temperature (operation)	0 °C to +55 °C
Relative humidity	0–95 % (not condensed)
Battery service life	Approx. 2 years, generally 10 lock cycle modes per day
Backset	55 or 65 mm
Spindle	9 mm
Distance	72 mm
Door thickness	35–95 mm
Standard	Tested for fire resistance in accordance with EN 1634, T90 tested to EN 12209 (mortice lock), EN 1906 (terminal), EN 179 (with suitable and appropriate lever handle design)
Electrostatic discharge (ESD)	Meets the requirements of EN 301 489 – 1
Voltage supply	Alkaline manganese battery 1.5 V AA (4 pieces)
Memory	For up to 1000 audit trail entries, for up to 1000 keys

### Notes on operation and installation

- ⚠ Planning by Dialock specialist is required.
- DT 710 door terminal modules on fire resistant and smoke control doors must be installed by Dialock specialists after approval by the door manufacturer. If the terminal is installed without this approval, the Fire and Smoke Control Certificate for the fire resistant or smoke control door will be invalidated.

Only to be used in combination with DIN mortice lock for DT 710.  
The comfort function is determined with the mortice lock.

### Mechanical emergency opening

The DT 710 door terminal set must always be equipped with a single profile cylinder for optional mechanical emergency opening. When using the mechanical emergency opening, please note the information sheet for determining the length of the single profile cylinder.

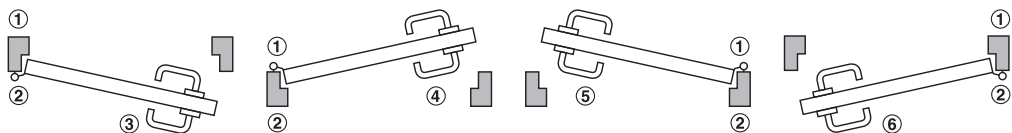
- ⚠ The batteries in the door backplate interior module are secured with a special screw in the covering hood. This should prevent unauthorised removal of the batteries. For this reason, a special bit is required for inserting batteries into the interior module. Please order separately.



3

### Define lever handle and opening direction

- ① Interior module
- ② Exterior module (access control)



The opening direction inwards or outwards must be selected with the mortice lock.

③ Exterior module with lever handle pointing to the left, outwards opening, Din left mortice lock

④ Exterior module with lever handle pointing to the left, inwards opening, DIN right mortice lock

⑤ Exterior module with lever handle pointing to the right, inwards opening, DIN left mortice lock

⑥ Exterior module with lever handle pointing to the right, outwards opening, DIN right mortice lock

### → DT 710 Door terminal module



	Stainless steel			
	Satin	Black	Polished brass coloured	Polished
	917.64.000	917.64.300	917.64.251	917.64.301
	917.64.001	917.64.302	917.64.252	917.64.303
	917.64.002	917.64.304	917.64.253	917.64.305

## → DT 710 door terminal set with open Bluetooth interface SPK



	Stainless steel			
	Satin	Black	Polished brass coloured	Polished
	917.64.312	917.64.306	917.64.313	917.64.307
	917.64.314	917.64.308	917.64.315	917.64.309
	917.64.316	917.64.310	917.64.317	917.64.311



3

### Note

Door terminals with Bluetooth interface are used in hotels. These door terminals can be unlocked with a standard key card, key tag or BLE-capable mobile phone with iOS or Android operating system. Planning by Diallock technician is required. The DT 710 door terminal set is supplied with escutcheon foil Cat. No. 917.80.424.

### Order reference

The following components must also be ordered for a fully operational unit:

- > 1 mortice lock for DT 700 / DT 710
- > 1 profile cylinder for mechanical emergency opening
- > 4 batteries AA
- > 1 angled striking plate,  
only for mortice locks with 20 mm forend
- > Mounting tool special bit or SW3 screwdriver for screw with security pin
- > Mounting set (threaded screws and square spindle)

### EN 179

If an escape route door in compliance with EN 179 is required, only the use of door terminals with U-shaped lever handle aperture parts is permitted.